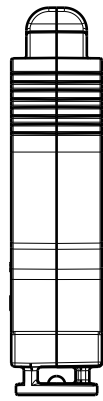
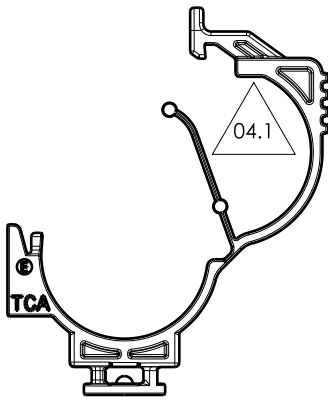
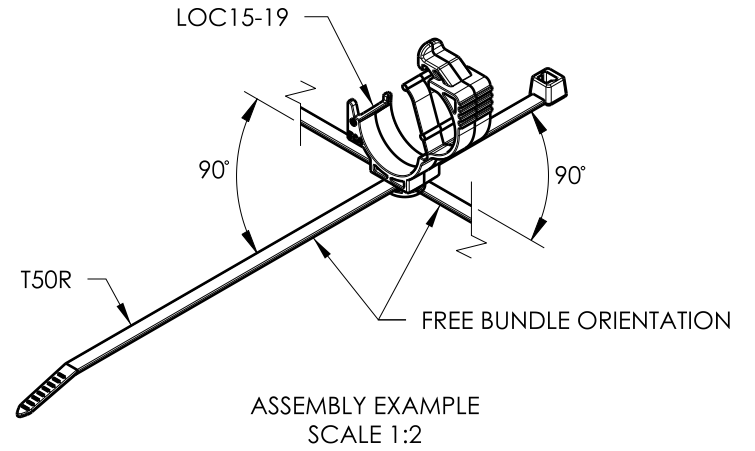
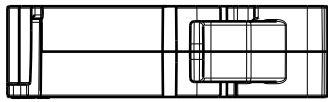
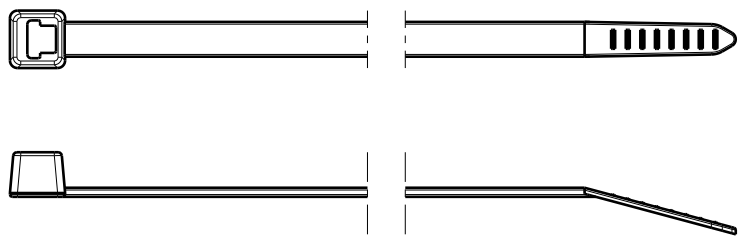


| Revision Level | | | Revision Record | Changed | Date | Approved | Date |
|----------------|----------------|------|-----------------|---------|---------|----------|--------|
| Drawing | State | Part | | | | | |
| 04.1 | Design Release | E | SEE ECN# 012751 | KVH | 7/28/14 | EJH | 8/6/14 |

LOC15-19
DELIVERY CONDITION: UNASSEMBLED SET



T50R
DELIVERY CONDITION: UNASSEMBLED SET



| TYPE | BUNDLE RANGE | CABLE TIES | | MOUNT | |
|------------------|--------------|--------------|----------|-----------------|-----------|
| | | DRAWING | MATERIAL | DRAWING | MATERIAL |
| T50RLOC15-19-SET | 5 TO 50 | CT2050007CST | PA66HS | 12-0429-001-CSU | PA66HIRHS |

Material
SEE CHART

Units millimeters

Tolerance defined on each dimension

The copyright of this drawing is reserved by HellermannTyton. It is issued on condition that it is not reproduced, copied or disclosed to a third party, either wholly or in part, without the consent of HellermannTyton.

| | | |
|---|-----|---------|
| Drawn | KVH | 5/24/13 |
| Approved | SJA | 6/10/13 |
| HellermannTyton | | |
| North America | | |
| Web: www.hellermann.tyton.com | | |

Article/Type-No SEE CHART
Title LOCKING OMEGA CLIP (15-19mm BUNDLE) WITH T50R CABLE TIE
Drawing-No PRODUCTION : Phase
12-0429-111-CSU

Scale 1:1
Project Number 12-0429
Format AH
Sheet 1/1